

## TECHNICAL SPECIFICATION

### Starters for direct start



#### **Description:**

The electromagnetic starters LT 5 Dxx series are devices designed for remote control, direct control and protection of induction motors or other electrical consumers. They are a combination of contactors LT 1 Dxx series and thermal protection LT 2 Exx factory cabled. The starters are offered on the market in metal or plastic boxes with the corresponding IP code from dust and moisture. At mounting there should be provided protection of the device from short circuit through breakers or disconnectors. If necessary, at client's order the factory mounted thermal protection in the pneumatic starter can be substituted. The choice of a suitable protection prevents motor's operation at unusual temperature conditions and guarantees maximum constant operation, increases the effectiveness and prolongs the term of exploitation.

## Functions:

- switching on/off alternating current consumers
- does not allow secondary unwarranted switching on of the starter at transitory lowering of the voltage
- protects the motor from overload in the range of the corresponding thermal protection
- remarkable with high reliability of current characteristics

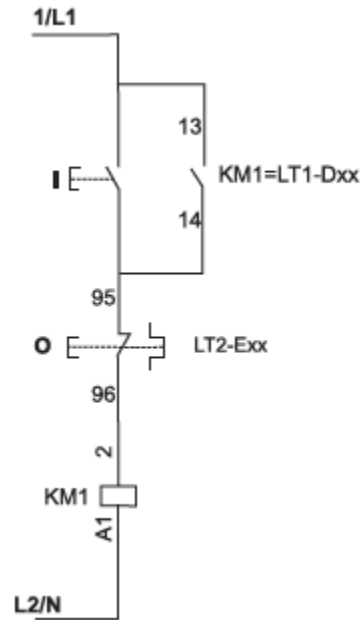
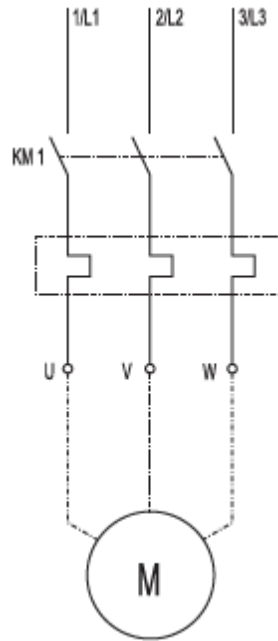
## Technical data:

- Rated voltage of the controlling voltage: 230/400V AC; 50/60 Hz

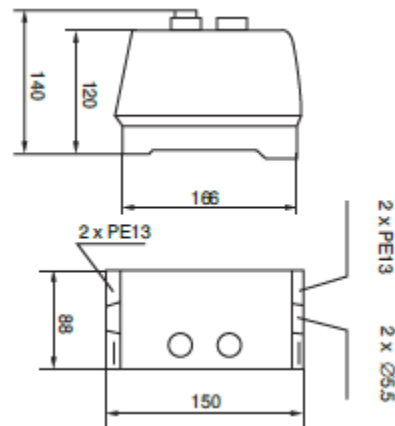
**Note:** In case you need different controlling coils voltage of the starters you can turn to our regional representatives.

- Rated operating voltage: 690V
- Rated operating current range: from 7 to 93 A AC
- Insulation voltage: 690V
- Surge voltage wear resistance:  $\geq 6000V$
- Joining terminal: screw terminal
- Little power consumption and small dimensions
- Connecting:
  - flexible or rigid conductors with or without cable terminal for joining to the consumer and section according to the motor power
  - two by two inlets/outlets supplied with orifices for the cables
- Possibility for range adjustment of the protection activating
- IP code: IP 44
- Possibility for operation at higher frequency
- Mounting:
  - mounting to a flat surface (wall) with bolts/ screws
  - mounting position: vertical gradient – maximum  $\pm 5^\circ$
- Plastic: wear resistance of UV rays and non-flammable (self-extinguishing material)
- Metal corpus: corrosion-proof coating
- Ambient temperature:  $-10^\circ C + 65^\circ C$
- Altitude: up to 2000m

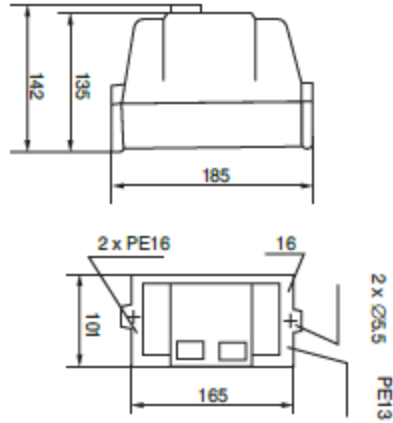
## Schemes:



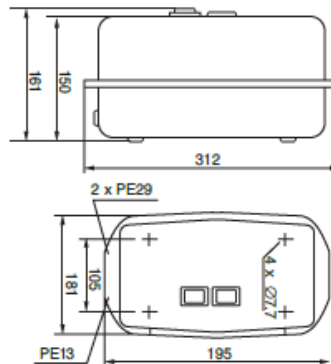
## Variants and dimensions:



Type	Rated capacity of motors 50/60HZ AC-3 category			Rated current (A)	Thermal relay adjustment range	Coil voltage (V)	Packing / Box (pcs)	Catalogue number
	220V 230V	380V 400V	415V 440V					
LT5 D093	2.2	4.0	4.0	9	7 – 10A	230	1 / 16	43091
						400	1 / 16	43092
LT5 D123	3.0	5.5	5.5	12	9 – 13A	230	1 / 16	43121
						400	1 / 16	43122
LT5D185	4.0	7.5	9.0	18	12 – 18A	230	1 / 16	43181
						400	1 / 16	43182



Type	Rated capacity of motors 50/60HZ AC-3 category			Rated current (A)	Thermal relay adjustment range	Coil voltage (V)	Packing / Box (pcs)	Catalogue number
	220V 230V	380V 400V	415V 440V					
LT5 D255	5.5	11	11	25	17 - 25A	230	1 / 16	43251
						400	1 / 16	43252
LT5 D325	7.5	15	15	32	23 - 32A	230	1 / 16	43321
						400	1 / 16	43322



Type	Rated capacity of motors 50/60HZ AC-3 category			Rated current (A)	Thermal relay adjustment range	Coil voltage (V)	Packing / Box (pcs)	Catalogue number
	220V 230V	380V 400V	415V 440V					
LT5 D405	11.0	18.5	22	40	30 - 40A	230	1 / 6	43401
						400	1 / 6	43402
LT5 D655	18.5	30.0	37	65	48 - 65A	230	1 / 6	43651
						400	1 / 6	43652
LT5 D955	25.0	45.0	45	95	80 - 93A	230	1 / 6	43951
						400	1 / 6	43952

**NOTE:** Upon request the thermal relay will be replaced

**Standards:**

EN 60947-1;

EN 60947-4-1

